

HUSSMANN

CID

Self-Service Refrigerated Island Display

The CID (Crown Island Display) is the top of the line refrigerated multi-deck merchandiser. Its curved perimeter and 7' width makes for an enticing display of gourmet foods, deli, cheeses, wines, juices and bakery goods. Available in a variety of lengths, using the modular crown and center components.



Applications

- Self Service Cheese
- Self Service Deli
- Self Service Meat (center section only)

Standard

- 6" molded curved plexiglass perimeter
- T-8 fluorescent top lighting
- 44" non-refrigerated top display area
- Black interior
- Perimeter air discharge
- Painted lower exterior and fascia
- 1" black vinyl cart bumper
- Aluminum base close-off
- Perimeter panel electrical raceway
- Insulated urethane coated interior deck
- 1 1/2" drainline fitting with P-Trap
- Dual forced air refrigeration coils
- Solar digital thermometer
- Choice of Hussmann colors
- UL listed and FDA compliant

Options

- 15", 18 1/2", and 22" lighted, wrap-around angled, black or stainless steel display shelves
- Stainless steel interior
- Backlit fascia
- 10" high perimeter plexiglass
- Shelf PTM
- Thermostat (Remote)
- Liquid line shut-off valve
- Energy efficient fan motors
- Custom heights, sizes and decor

Matching CaseLines

- RGPML

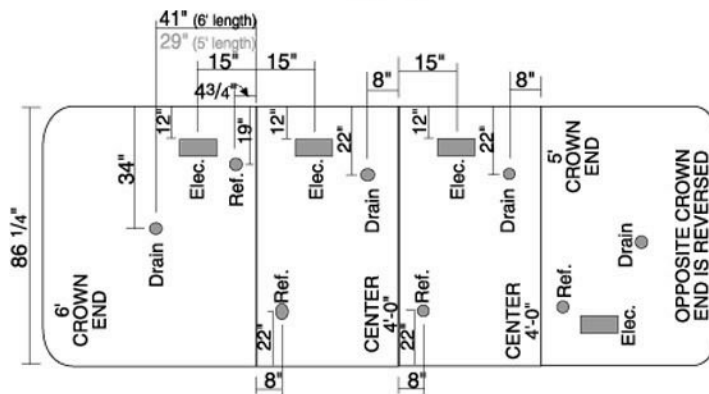
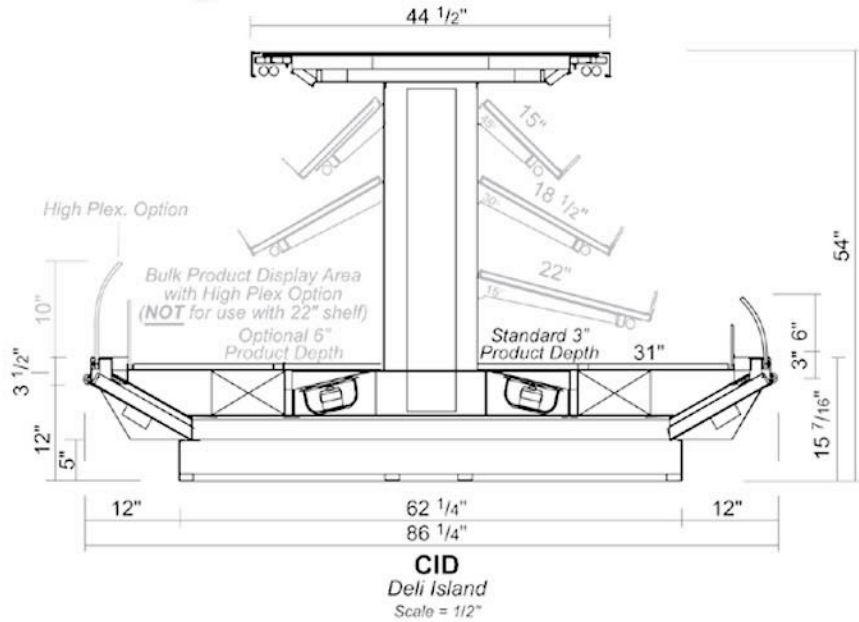
Hussmann Corporation

13770 Ramona Avenue
Chino, California 91710
(800) 395-9229
(909) 590-4910
(909) 590-4133 Fax
www.hussmann.com

An  Ingersoll Rand business

© 2003 Hussmann Corporation

CID



The CID can be constructed in variable lengths, from 10'-0" up, using the 5'-0" and/or 6'-0" crown ends, and the 4'-0" center sections.

NOTE: Mechanical Stub-Up areas will vary with size of case.
Consult factory for location(s).

NOTE: These merchandisers are designed for use in stores where temperature and humidity do not exceed 75°F and 55% R.H. (We reserve the right to change or revise specifications and product design in connection with any feature of our products. Such changes do not entitle the buyer to corresponding changes, improvements, additions, or replacement of equipment previously sold or shipped.)