

HUSSmann®

ESGMVS

IMPACT ELITE

Vertical Glass, Gravity Coil Service Case for Deli



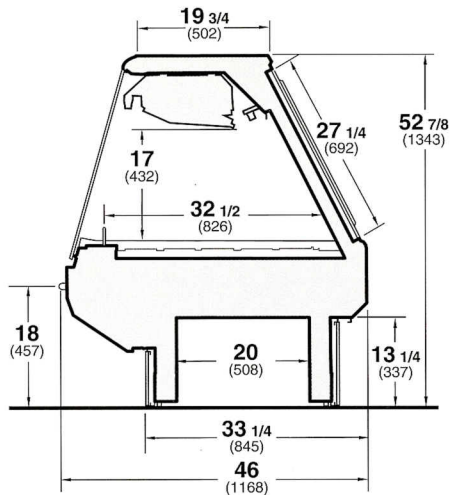
IR Ingersoll Rand
Climate Control Technologies

ESGMVS - Straight Glass Service Case for Deli With Blower Coil

HUSSMANN®
Impact Elite

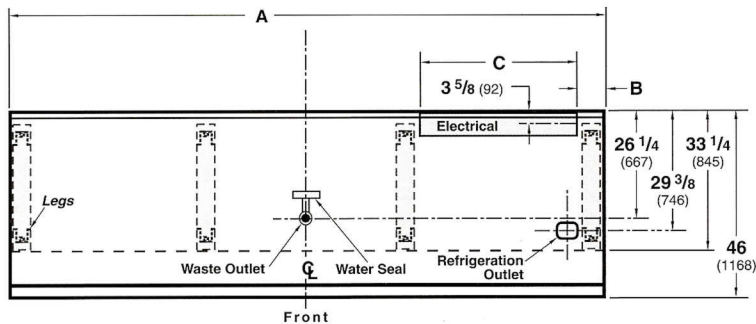
Standard Lengths: 4', 6', 8', 12'

ESGMVS



Note: Please use Hussmann's technical data sheets to get precise dimensions for all store layout purposes.

ESGMVS Plan Views



Dimension	A	B	C
4 foot	48 1/4 (1226)	5 (127)	38 3/4 (984)
6 foot	72 3/8 (1838)	5 (127)	29 5/8 (752)
8 foot	96 3/8 (2448)	5 (127)	41 3/4 (1060)
12 foot	144 1/2 (3670)	5 (127)	41 3/4 (1060)

Note: Overall case length without ends or partitions.

NOTE: These merchandisers are designed for use in stores when temperature and humidity do not exceed 75° F and 55% R.H.

NOTE: We reserve the right to change or revise specifications and product design in connection with any feature of our products. Such changes do not entitle the buyer to corresponding changes, improvements, additions, or replacements for equipment previously sold or shipped.

Traditional Vertical Glass Deli Merchandising With Elite Styling

The ESGMVS is a gravity coil merchandiser providing the benefits of more traditional, nearly vertical straight glass deli service displays in dramatic Elite styling. This can be great in deli departments designed with a more traditional yet clearly high quality style in mind. The signature straight front glass, which is nearly but not quite vertical, lifts up for easy stocking and cleaning.

Large Top Display for Convenience and Cross-Merchandising

The vertical glass provides room for a large, 19 3/4" top display area. This can be used for cross-merchandising non-refrigerated items, for scale stands, and for extra space when serving customers.

Proven Performance

Hussmann's advanced refrigerated technology is available in all Impact Elite merchandisers, giving you better product temperatures, longer shelf life, lower energy costs, fewer refrigerant leaks and easier cleaning and maintenance. Get ultimate styling and ultimate performance with Impact Elite.

Available Accessories

ESGMVS accessories include scale stands, wrapping boards, step displays, paper cutters and a 2" base elevation kit.

At last, advanced styling plus world-class performance and energy efficiency... that's Impact Elite.

IR Ingersoll Rand
Climate Control Technologies

Hussmann Corporation
12999 St. Charles Rock Rd.
Bridgeton, MO 63044-2483
(314) 291-2000
(314) 298-4756 Fax