

HUSSmann[®]
SPECIALTY PRODUCTS

FMSS

Refrigerated, Cross Merchandising Self-Service Case



FMSS

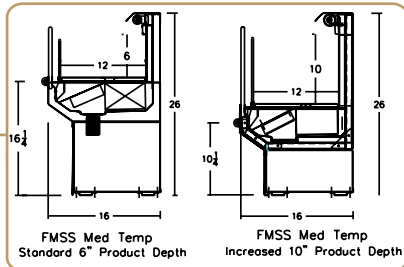
Refrigerated, Cross Merchandising Self-Service Case

Grab 'n Go Deli • Cheese • Salads • Beverages • Packaged Meat or Fish

HUSSMANN®
Specialty Products

Multiple Product Heights

Can be ordered with 6" or 10" product depth depending on the application



Increase SKU's

This case will allow additional SKU's in your store when placed in front of any service case

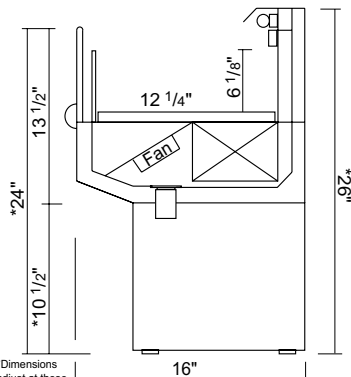
Cross Selling Opportunities

Allows opportunities to add sales of complimentary products in any department



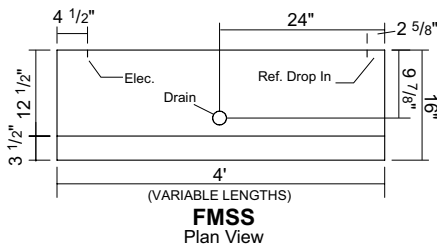
Use in Various Department Or Applications

Case can be used in front of any service case or custom fixture, base heights can be adjusted to fit the application



*Dimensions adjust at these points to match service case height

FMSS- Remote
Self-Service Shown with Optional Special Height



FMSS
Plan View

Remote ; Lengths: 3' • 4' • 6' • 7' • 8' • 9' • 10' • 12'

FEATURES

- Stainless steel interior
- 1/2" plexiglass front
- Large forced air refrigeration coil
- Single row top light
- Solar digital thermometer
- 1" black vinyl cart bumper
- 6" deep product height
- Please reference Color Chart for choice of standard Hussmann paint and finish options (www.hussmann.com)

OPTIONS

- Base height to match front of parent case
- Joint trim
- End panels
- Step display
- Liquid line solenoid
- Liquid line hand valve
- Thermostat
- 10" deep product height
- Custom lengths and options* (consult your Hussmann sales representative)

For further information, specs and photos:
www.hussmann.com/Products/FMSS.htm

Matching family members

Frozen: [www.hussmann.com/Products/FMSS- L.htm](http://www.hussmann.com/Products/FMSS-L.htm)

Fish: www.hussmann.com/Products/DSF.htm

Fish: www.hussmann.com/Products/DSFM.htm

Deli: www.hussmann.com/Products/Q1-DC.htm

www.hussmann.com/Products/Q1-DS.htm

Can be used in front of most types of service cases

IR Ingersoll Rand
Climate Control Technologies

HUSSMANN Specialty Products
13770 Ramona Avenue
Chino, California 91710
(800) 395-9229 (Marketing)
(909) 590-4133 Fax
www.hussmann.com



These merchandisers are designed for use in stores where temperature and humidity do not exceed 75°F and 55% R.H. (We reserve the right to change or revise specifications and product design in connection with any feature of our products. Such changes do not entitle the buyer to corresponding changes, improvements, additions, or replacement of equipment previously sold or shipped.) *Some optional features may be certified by UL, NSF, and/or other 3rd party certification agencies. Contact Hussmann for verification or requests for such certification.