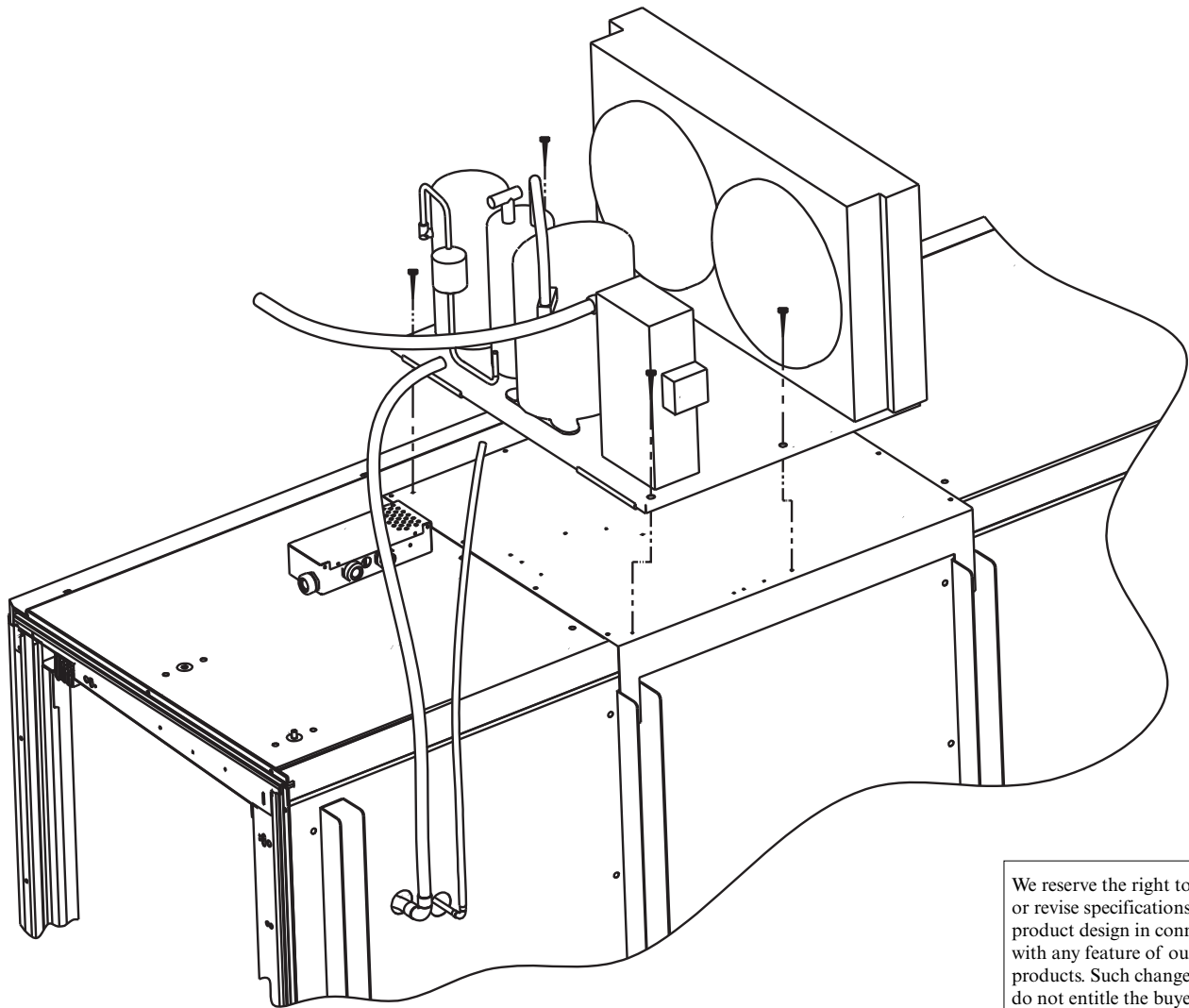


HUSSMANN®

Freedom Line Condensing Units

Technical Data Sheet
P/N 0526765_C

November 2012



We reserve the right to change or revise specifications and product design in connection with any feature of our products. Such changes do not entitle the buyer to corresponding changes, improvements, additions or replacements for equipment previously sold or shipped.

NOTE: Revision C adds note on page 2, and condensate pan MOPD on page 3. Other changes marked by bar, underline or circle.



Freedom Line
Condensing Units for
Reach-in Cases

Case wiring must be on a separate circuit. See Freedom Case data sheet for case circuit requirements.

Condensing Unit	TCLA	TCLB	TCLC	TCLD	TCMA	TCMB	TCMC	TCMD
Application	Low Temperature				Medium Temperature			
	2 Door	3 Door	4 Door	5 Door	2 Door	3 Door	4 Door	5 Door
Voltage/ 60Hz / 1 Phase	208/230	208/230	208/230	208/230	120	120	208/230	208/230
Condensing Unit Only Minimum Circuit Ampacity (MCA)	<u>12.8</u>	17.2	16.6	26.7	10.7	8.4	6.7	9.7
Maximum Overcurrent Protection Device (MOPD)	20	25	25	35	15	15	15	15
Compressor LRA	46	59.2	59.2	87	34.6	29	24.8	33.7
Heat of Rejection (Btu/hr)	4300	6300	8280	10300	1810	2580	3230	4010
Dimensions (inches)								
Height	13.8	16.2	19.0	19.0	14.2	11.8	11.8	13.1
Length	24.0	24.1	25.9	25.8	10.5	16.2	16.1	24.0
Width	17.1	18.3	34.0	34.0	16.0	15.3	12.8	17.0
Shipping Weight (lbs)	120	145	201	226	36	49	50	60
Receiver Capacity (lbs R404A)	5.4	5.4	6.4	6.1	1.7	2.3	2.4	5.6
Oil Recharge (oz)	24	45	45	45	16	16	12	15
Refrigerant Connections (inches)								
Liquid Line	$\frac{3}{8}$	$\frac{3}{8}$	$\frac{3}{8}$	$\frac{3}{8}$	$\frac{3}{8}$	$\frac{3}{8}$	$\frac{3}{8}$	$\frac{3}{8}$
Suction Line	$\frac{5}{8}$	$\frac{5}{8}$	$\frac{5}{8}$	$\frac{5}{8}$	$\frac{5}{8}$	$\frac{5}{8}$	$\frac{5}{8}$	$\frac{5}{8}$
Dimensions (inches)								
Height	16.1	17.2	19.0	19.0	16.1	17.2	11.8	13.1
Length	24.0	24.0	25.2	25.2	24.0	24.0	25.2	25.2
Width	18.3	18.3	34.0	34.0	18.3	18.3	34.0	34.0
Shipping Weight (lbs)	116	127	200	286	116	127	200	286

Freedom Line Condensing Units for Multi-Deck Cases

Condensing Unit Application	TCMXXA TCMXXB TCMXXC TCMXXD				TCMXXA TCMXXB TCMXXC TCMXXD				
	CF5X Medium Temperature				DF5NX Medium Temperature				
	4 ft	6 ft	8 ft	12 ft	4 ft	6 ft	8 ft	12 ft	
Voltage/ 60Hz / 1 Phase	230	230	230	230	230	230	230	230	
Minimum Circuit Ampacity (MCA)	11.7	16.5	21.9	28.7	11.7	16.5	21.9	28.7	
Condensing Unit Only Maximum Overcurrent									
Protection Device (MOPD)	15	20	35	45	15	20	35	45	
MCA	11.7	16.5	21.9	28.7	11.7	16.5	21.9	28.7	
RLA	7	12.4	15.7	20.7	7	12.4	15.7	20.7	
LRA	34.2	56	61	100	34.2	56	61	100	
MOPD with Condensate Pans	25	30	50	60	25	30	50	60	
MCA with Condensate Pans	16.92	24.33	32.33	41.74	16.92	24.33	32.33	41.74	
R404A Charge (lbs)	4.0	6.0	8.0	12.0	4.0	6.0	8.0	12.0	
Accumulator Capacity (lbs)	NA	NA	6.11	6.11	NA	NA	6.11	6.11	
Oil Recharge (oz)	24	45	46	49	24	45	46	49	
Heat of Rejection (Btu/hr)	11,557	22,948	22,948	34,304	11,805	16,402	23,248	34,704	
Refrigerant Connections (inches)									
Liquid Line	$\frac{3}{8}$	$\frac{3}{8}$	$\frac{3}{8}$	$\frac{3}{8}$	$\frac{3}{8}$	$\frac{3}{8}$	$\frac{3}{8}$	$\frac{3}{8}$	
Suction Line	$\frac{5}{8}$	$\frac{7}{8}$	$\frac{7}{8}$	1 $\frac{1}{8}$	$\frac{5}{8}$	$\frac{7}{8}$	$\frac{7}{8}$	1 $\frac{1}{8}$	
Dimensions (inches)									
Height	16.1	17.2	19.0	19.0	16.1	17.2	11.8	13.1	
Length	24.0	24.0	25.2	25.2	24.0	24.0	25.2	25.2	
Width	18.3	18.3	34.0	34.0	18.3	18.3	34.0	34.0	
Shipping Weight (lbs)	116	127	200	286	116	127	200	286	
Condensate Water Heater									
Volts	230	230	230	230	230	230	230	230	
Amps	5.22	7.83	10.43	13.04	5.22	7.83	10.43	13.04	
Wattage	1200	1800	2400	3000	1200	1800	2400	3000	

Replacement Part Numbers:

Condensate Pan & Heater

1.5 kW — TP.4919651

1.0 kW — TP.4919662

