

HUSSmann[®]

RI2, RI2N

*Low Profile Multi-Deck Island With Curved Glass
for Deli, Cheese and Other Medium Temp Applications*



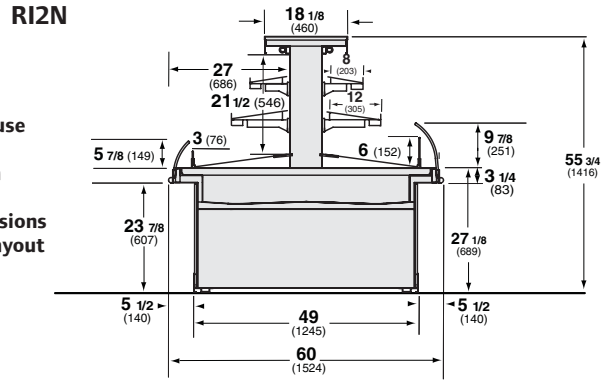
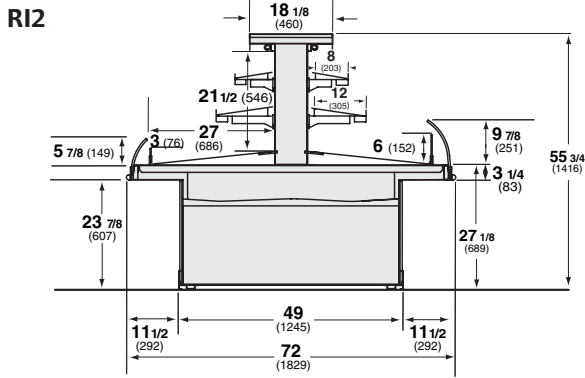
Low Profile Multi-Deck Island With Curved Glass



RI2—Multi-Deck Island With Curved Glass for Medium Temp Deli Products

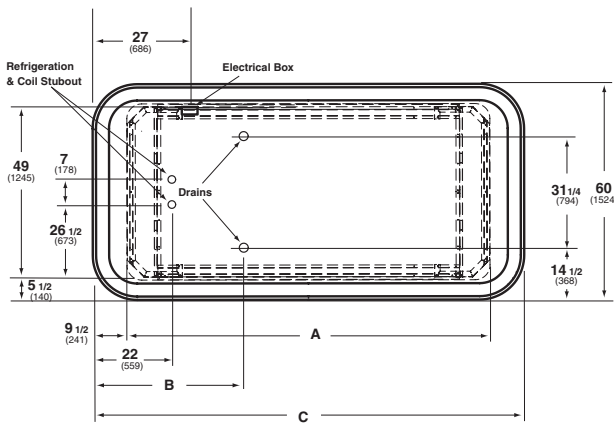
RI2N—Multi-Deck Narrow Island With Curved Glass for Medium Temp Deli Products

Available in 8', 10', 12', 14', 16' and longer lengths in 2' increments.

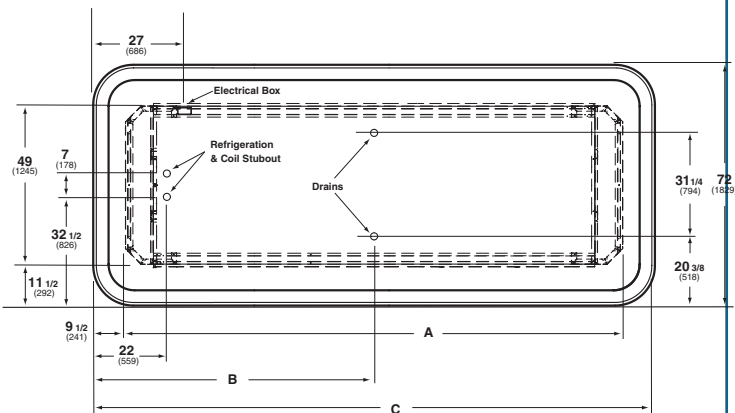


Note: Please use Husmann's technical data sheets to get precise dimensions for all store layout purposes.

RI2N 8', 10', 12', 14', 16' Plan Views



RI2 8', 10', 12', 14', 16' Plan Views



Dimension	A	B	C
8 FT CASE	77 (1956)	48 (1219)	96 (2439)
10 FT CASE	101 7/8 (2588)	42 (1067)	120 (3049)
12 FT CASE	125 7/8 (3198)	42 (1067)	144 (3658)
14 FT CASE	149 1/2 (3798)	84 (2134)	168 (4268)
16 FT CASE	173 (4396)	96 (2439)	192 (4878)

Attractive, Low Profile Island

The RI2 creates an attention-getting shop around display for deli products, prepared foods, sandwiches or other medium temperature products. The low profile design places your merchandise within easy reach, while maintaining visibility throughout the department.

Curved Glass Styling

The distinctive curved glass on all RI islands creates a contoured look that can be selected to match other curved glass fixtures in the department.

Excellent Reliability and Performance

The RI2 maintains superior standards of reliability and quality while providing excellent refrigeration performance to promote superior freshness and shelf life.

Non-Refrigerated Top Display

To accent your case merchandising, the RI2 includes a non-refrigerated top display area. This can be used for complementary non-refrigerated items and to add color and visual interest to the department.

Note: These merchandisers are designed for use in stores when temperature and humidity do not exceed 75°F and 55% RH.

Note: We reserve the right to change or revise specifications and product design in connection with any feature of our products. Such changes do not entitle the buyer to corresponding changes, improvements, additions or replacements for equipment previously sold or shipped.



Web Site: www.husmann.com
E-mail: husmann-marketing@irco.com

Husmann Corporation
12999 St. Charles Rock Rd.
Bridgeton, MO 63044-2483
(314) 291-2000
(314) 298-4756 Fax