

MECHANICAL PLAN VIEW

PLAN VIEW

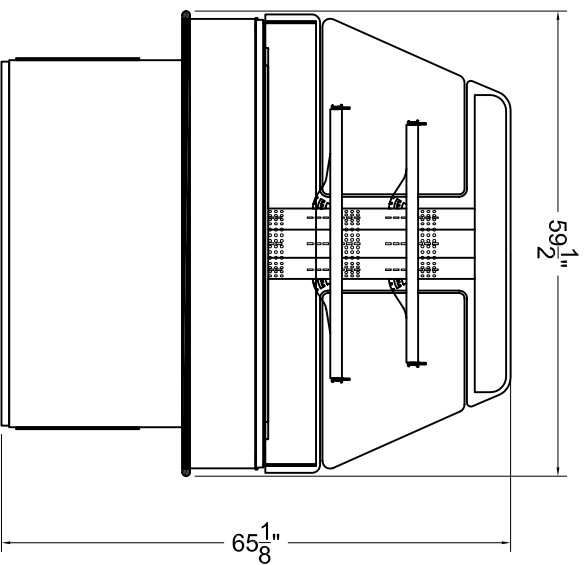
MDI-03 SOUP BAR (SELF CONTAINED)
120/208-240 3 PHASE

LOAD CENTER INSTALLED

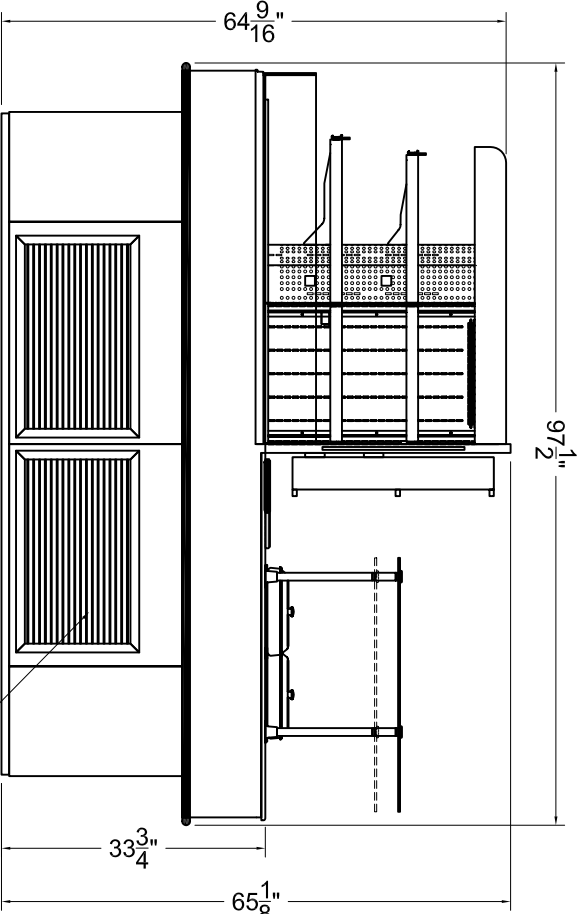
1. EVAP PAN	20 AMP	2. FAN & LIGHTS- 15 AMP
3. EVAP PAN	20 AMP	4. SOUP
5. CONDENSING UNIT	20 AMP	6. SOUP
7. CONDENSING UNIT	20 AMP	8.
9.		10.
11.		12.

SOUP	L1	L2	L3
CONDENSING UNIT	9	12	12
EVAP PAN	7.2		9
LIGHTS & FANS	4.0 (EST)	7.2	
	20.2	19.2	21

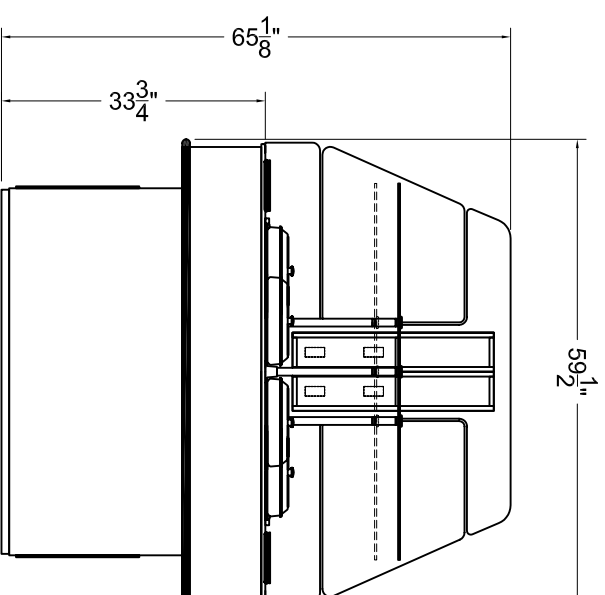
30 AMP 3 PHASE 4 WIRE CIRCUIT REQUIRED



ENDVIEW



SIDE VIEW



END VIEW

Southern
STORE FIXTURES, INC.
275 DREXEL ROAD SE
BESSEMER, AL 35022
205.428.4800 phone
205.428.7788 fax

COPYRIGHT © 2006
SOUTHERN STORE FIXTURES, INC.
ALL RIGHTS RESERVED

BY: _____ DATE: _____

THIS DRAWING IS THE PROPERTY OF SOUTHERN STORE FIXTURES, INC. AND IS NOT TO BE REPRODUCED OR EXCHANGED WITH ANY OTHER PERSON OR COMPANY WITHOUT THE EXPRESS WRITTEN CONSENT OF SOUTHERN STORE FIXTURES, INC.

ALBERTSONS

MDI-03-EA1-SCL

FINISHED MATERIALS

Drawn By
M.FRIEDMAN

08/03/07

Scale 1/2"=1'-0"