

Low Profile, Multi-Deck, Convertible Merchandiser
for All Medium Temperature Applications

Stainless steel rail and upper face panel as shown are options



Impact Convertible Merchandiser. Low Profile Multi-Deck for All Medium Temperature Applications.

HUSSMANN®
IMPACT™ Merchandisers

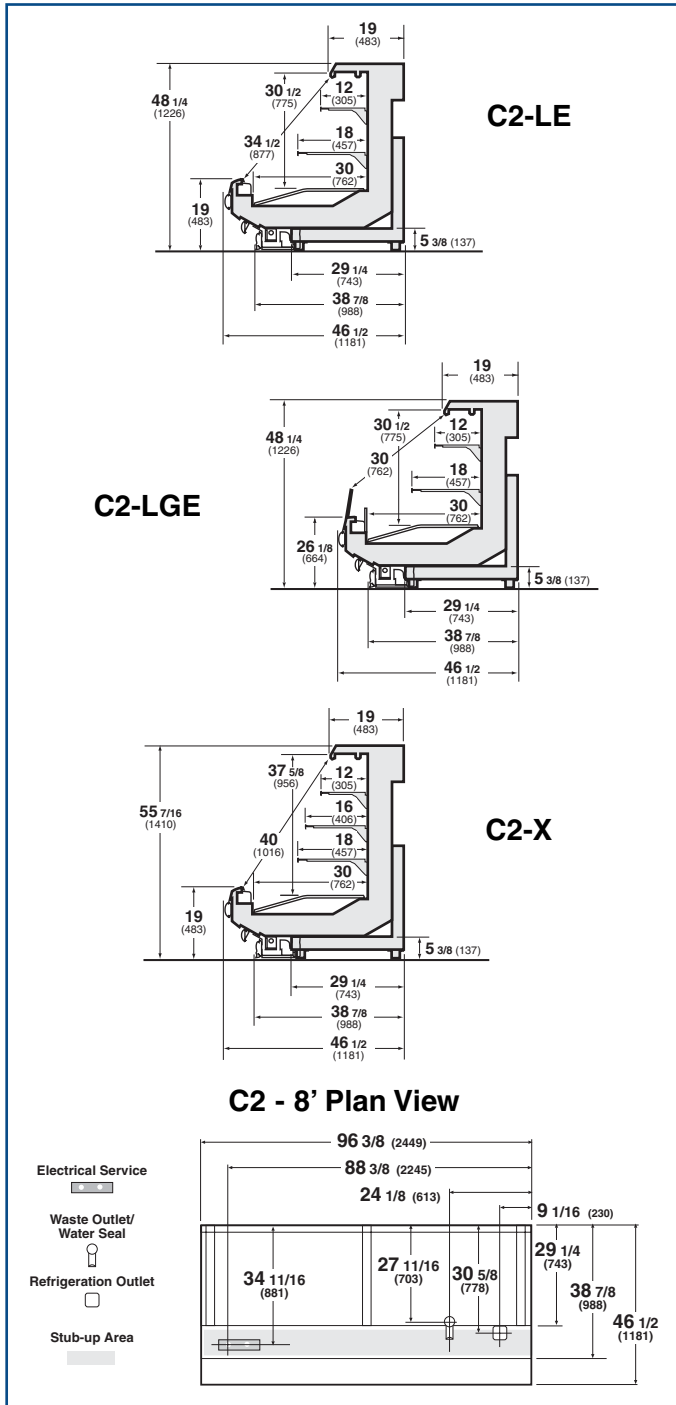
C2-LE - Low 19" Front, High Efficiency, Multi-Deck, Convertible Self-Service Fixture

C2-LGE - Low Front, High Efficiency, Multi-Deck, Convertible Self-Service Fixture w/Glass Front

C2-E - High Efficiency, Multi-Deck, Convertible Self-Service Fixture, 23" Front

C2-X - High Back

Available in 6', 8' and 12' lengths.



Please use Hussmann's Merchandiser Data Book to get precise dimensions for all store layout purposes.

Web Site: www.hussmann.com

E-mail: hussmann-marketing@irco.com

Convert Your Merchandising Layouts Overnight

Hussmann Impact Convertibles let you convert your display fixture to any medium temperature application. Meat, produce, dairy, deli, juice, cheese, seafood, pizza... you can display it in an Impact Convertible Merchandiser.

Low Profile Provides High Versatility

The C2 can be installed against a wall, back to back in a shop-around configuration or in a specialty line-up near service fixtures.

Shelving Flexibility

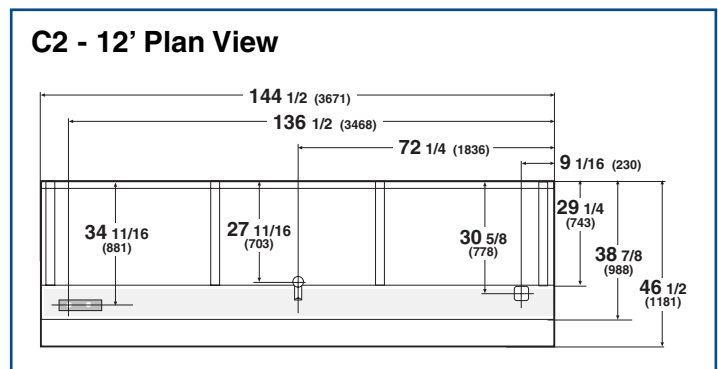
Shelves are available in 12", 14", 16" and 18" widths. Up to two shelf levels can be mounted in any position for excellent display flexibility. Glass and no glass front alternatives extend your merchandising choices.

Height and Other Options

The C2 merchandisers have an overall height of 48". C2X merchandisers have an overall height of 55 1/8" and will accommodate up to three shelves. The merchandisers are also available with an optional second row of T-8 canopy lights (one row standard), stainless steel canopy top, rear stainless and more.

NOTE: These merchandisers are designed for use in stores when temperature and humidity do not exceed 75°F and 55% R.H.

NOTE: (We reserve the right to change or revise specifications and product design in connection with any feature of our products. Such changes do not entitle the buyer to corresponding changes, improvements, additions, or replacements for equipment previously sold or shipped.)



Hussmann Corporation

12999 St. Charles Rock Rd.
Bridgeton, MO 63044-2483
(314) 291-2000
Fax: (314) 298-4756

An **IR** Ingersoll-Rand business
Proven source. Proven solutions.