

Multi-Deck Dairy/Deli Display



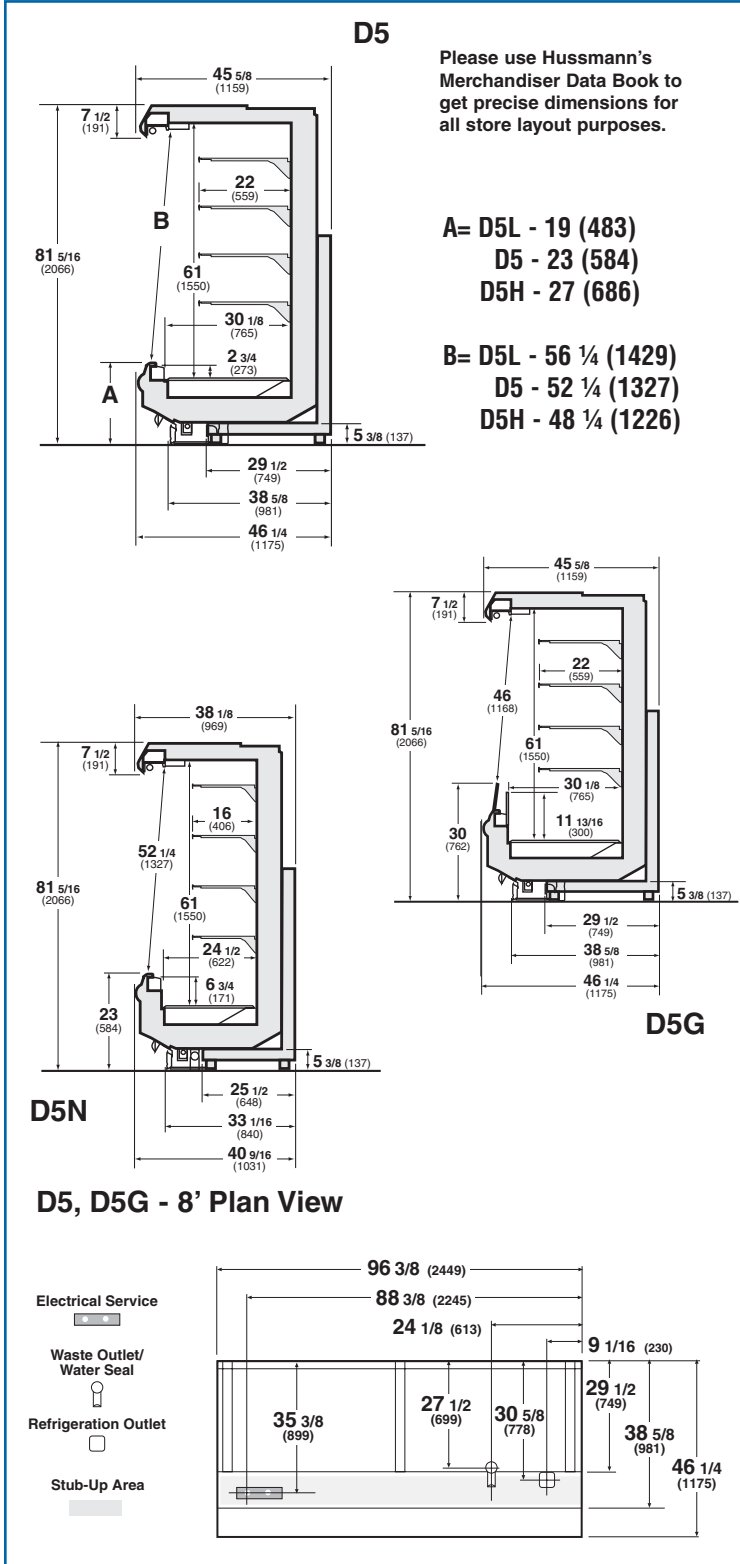
Multi-Deck Dairy/Deli Merchandisers



Models Available:

D5L	D5LE	D5LR	D5LRE	D5G	D5N	G=Glass Front	L=Low Front
D5	D5E	D5R	D5RE	D5GE	D5LN	E=High Efficiency	N=Narrow Footprint
D5H	D5HE	D5HR	D5HRE	D5HN		H=High Front	R=Rear Service (Coil in Bottom)

Available in 8' and 12' Lengths



Reduced Refrigerant

50% to 60% less refrigerant needed in Impact merchandisers compared with previous product lines.

Superior Performance for Dairy or Deli Applications

Dramatic performance improvements include colder product temperatures suitable for dairy or deli product. Minimal variation in product temperature throughout display area, even during defrost.

Easier Sanitation

One piece, high impact polystyrene "bathtub" bottom with seamless, radiused corners. Hinged modular fan plenums improve sanitation access. "No tools" lift out panels/components. Removable honeycomb.

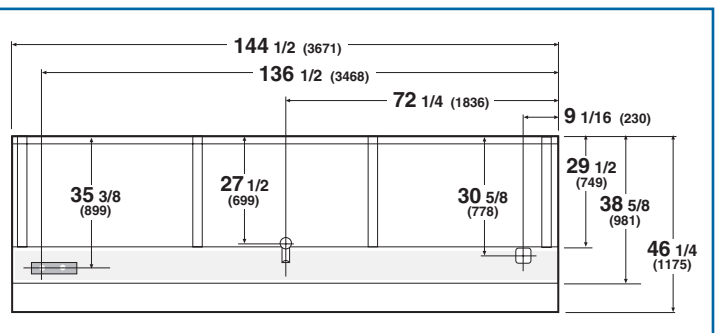
Narrow Footprint Model

A narrow footprint model is available for use where space is at a premium. Comes with low, medium or high front heights. Glass front is also available.

NOTE: These merchandisers are designed for use in stores when temperature and humidity do not exceed 75°F and 55% R.H.

NOTE: (We reserve the right to change or revise specifications and product design in connection with any feature of our products. Such changes do not entitle the buyer to corresponding changes, improvements, additions, or replacements for equipment previously sold or shipped.)

D5, D5G - 12' Plan View



Web Site: www.husmann.com
E-mail: husmann-marketing@irco.com

Husmann Corporation
12999 St. Charles Rock Rd.
Bridgeton, MO 63044-2483
(314) 291-2000
Fax: (314) 298-4756