

# DDS

## Dairy/Deli Multi-Deck Merchandiser

---



DDS

---

**HUSSmann®**

# DDS

## Dairy/Deli Multi-Deck Merchandiser

Available in 4', 6', 8' lengths.

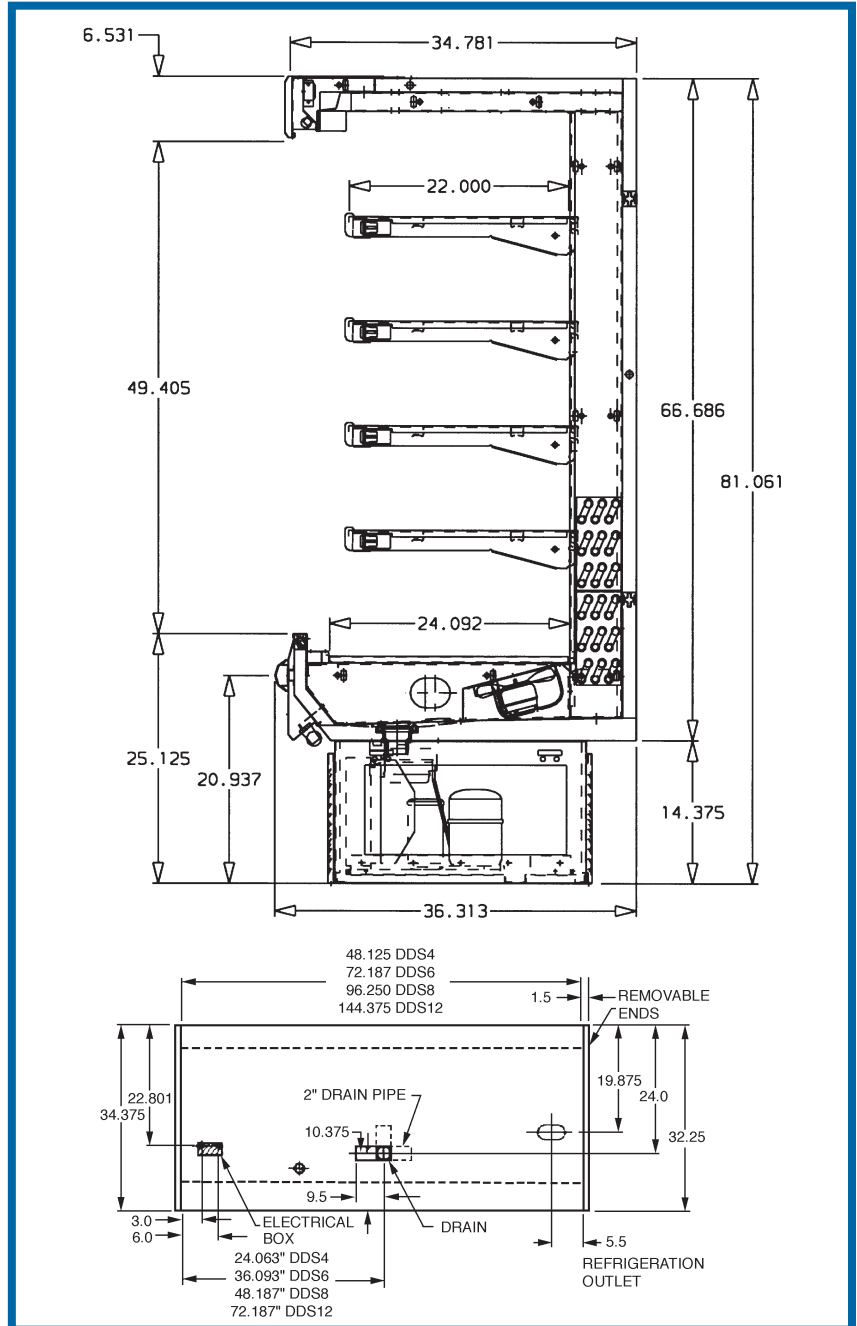
This multi-functional merchandiser provides a wide variety of options for your customer. Ideal as single spot displays or in full case line-ups.

### Standard Features:

- Medium Temp Refrigerated Merchandiser
- Air Intake/Exits located in front and back of case
- Standard White Interior
- T8 Lighting
- Electronic Ballast Kits
- Impact Bumper
- Digital Thermometer
- Standard Expansion Valve
- Standard Off - Time Defrost Heat Exchanger
- Unpainted Galvanized Exterior Back

### Optional Accessories:

- Interior Optional Light
- Remote or Self-Contained Applications
- Variety of Interior and Exterior Colours and Finishes
- Stainless Steel Exterior
- 12" Mirror Kits
- Heavy Duty Display Pans
- Bottom Wire Racks
- Variety of Solid or Contoured Ends with optional interior and exterior finishes
- Energy Efficient Fans
- 2" Dial Thermometer
- Up to 5 rows or Unlit or Lit Painted Shelves with Aluminum Price Tag Moulding (maximum shelf depth 22")
- Rear Closure Kit
- Variety of Leg Heights to select from:
  - Self-Contained Application:
    - 4' and 6' - 14 3/8" only
    - 8' - 16 3/8" only.
  - Remote Application:
    - 6 3/8", 10 3/8", 14 3/8", 16 3/8"



All dimensions are nominal.

Note: These merchandisers are designed for use in stores where temperature and humidity do not exceed 75°F and 55% R.H. Locate case away from direct sunlight, rapid air currents and extreme temperature changes.



We reserve the right to change or revise specifications and product design in connection with any feature of our products. Such changes do not entitle the buyer to corresponding changes, improvements, additions, or replacements for equipment previously sold or shipped.

Note: Rail Light Not Available on This Unit

# HUSSMANN®

© Hussmann Corporation 0205\_010 0205-P-2.5M



**Hussmann Corporation**  
 140 East State Street  
 Gloversville, NY 12078  
 (518) 725-0644  
 (800) 753-7790  
 Fax: (518) 725-3801