

HUSSMANN

RGD 24

24" Depth 72 Height
24" Depth 83 Height

Refrigerated Gondola
Insert Display

The RGD is a narrow refrigerated gondola insert or in-line case, available as a self-contained or remote unit. It's narrow depth allows this case to fit at the end of a gondola or within - by removing a deck and the shelves above from one dry gondola section.



RGD 24" Gondola End Cap



RGD 24" In-Line with Dry Shelves (Beverage)



RGD 24"-72

Applications

- Self-Service Deli (RGD24-72)
- Self-Service Beverage (RGD24-83)

Standard

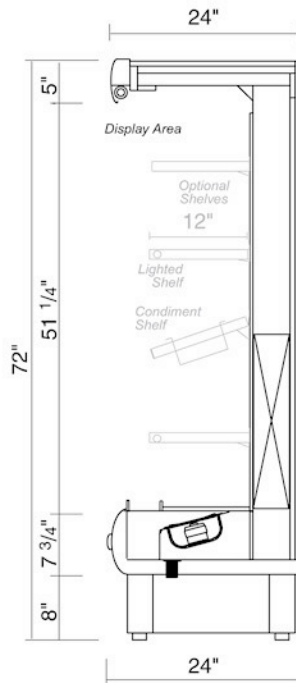
- 72" and 83" heights
- Multi-deck air curtain
- Forced air coil
- White interior
- Single top light SPX30 T12
- 2" black vinyl cart bumper
- Solar digital thermometer
- Thermostat
- Defrost timeclock (Self Contained)
- Evap pan with pump (Self Contained)
- Liquid indicator (Self Contained)
- Dryer (Self Contained)
- Pressure control (Self Contained)
- End panels (Self Contained)
- Condensing unit (Self Contained)
- Thermostat (Self Contained)
- Choice of Hussmann colors
- UL listed

Options

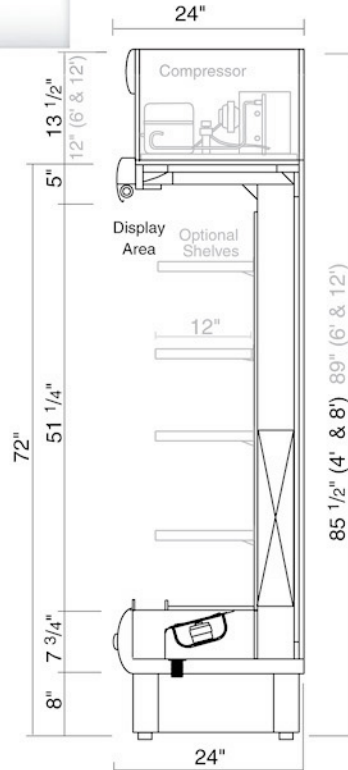
- Insulated ends (solid or view end) (Remote)
- Adjustable shelves with tag molding and rear product stop
- Slant shelf for condiment pans
- Lights for shelves with remote ballast (T5)
- Black or stainless steel interior
- Mirror bright stainless steel on interior of end panels
- Back-lighted signage
- Liquid line hand valve
- Air evap pan (remote)
- Custom trim and decor

Standard Lengths

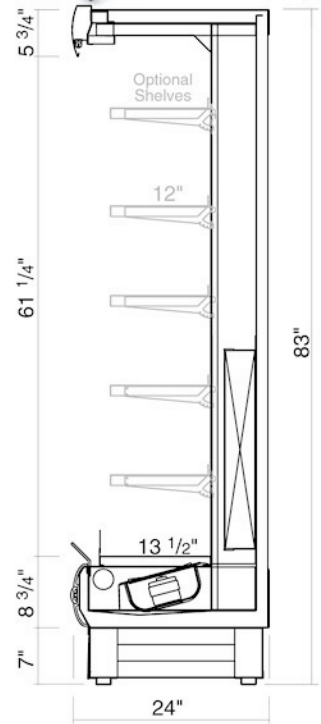
4' • 6' • 8' • 12'



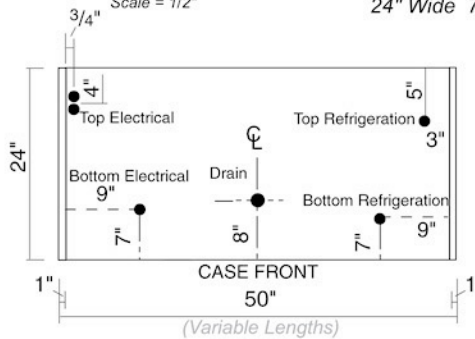
RGD24 - 72
Refrigerated Gondola Display
24" Wide 72" High
Scale = 1/2"



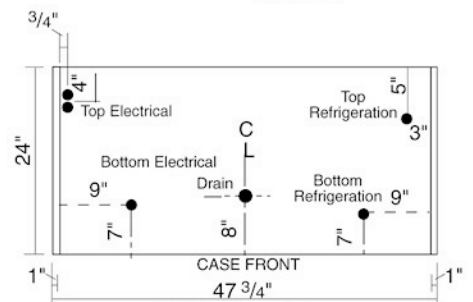
RGD24 - 72 - SC
Refrigerated Gondola Display
24" Wide 72" High • Self Contained
Scale = 1/2"



RGD24 - 83
Refrigerated Gondola Display
24" Wide 83" High
Scale = 1/2"



RGD24
Scale = 1/2"



RGD-Gondola
Scale = 1/2"

Hussmann Corporation

13770 Ramona Avenue
Chino, California 91710

(800) 395-9229

(909) 590-4910

(909) 590-4133 Fax

www.hussmann.com

An **IR** Ingersoll-Rand business

NOTE: These merchandisers are designed for use in stores where temperature and humidity do not exceed 75°F and 55% R.H. We reserve the right to change or revise specifications and product design in connection with any feature of our products. Such changes do not entitle the buyer to corresponding changes, improvements, additions, or replacement of equipment previously sold or shipped.