

PLAN

SCALE 1/2" = 1'-0

MECHANICAL SPECIFICATIONS

Refrigeration load -
360 BTU/hr per ft
@20° evap temp

Electrical loads @~115 VAC -

4' Case -

Case lights 1.77 amps
AIR Sweep Heater & FANS 1.34 Amps
GFCI Convenience outlet 15.0 amps

8' Case -

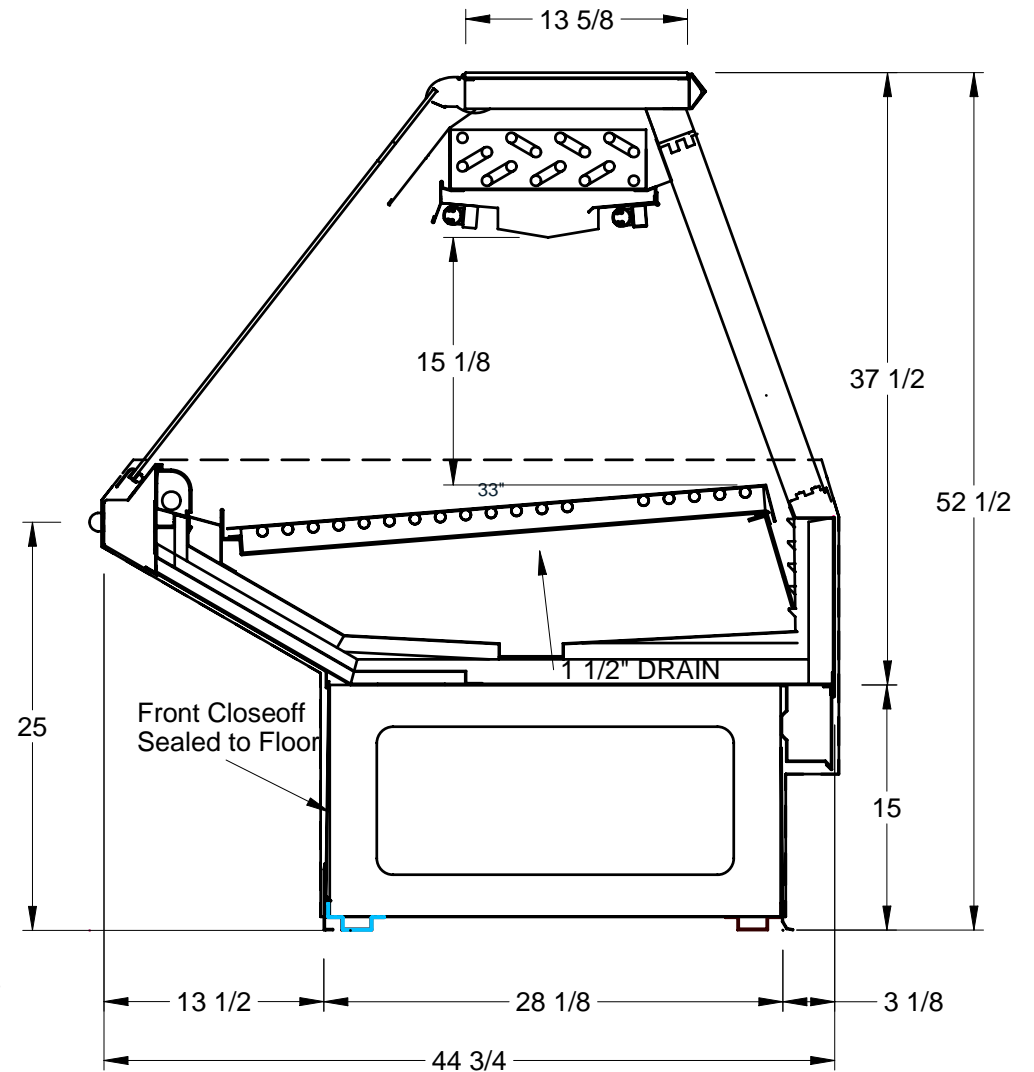
Case lights 2.38 amps
AIR Sweep Heater & FANS 5.58 Amps
GFCI Convenience outlet 15.0 amps

6' Case -

Case lights 2.38 amps
Air Sweep Heater & Fans 1.75 Amps
GFCI Convenience outlet 15.0 amps

12' Case -

Case lights 4.76 amps
Air Sweep Heater & Fans 8.37 Amps
GFCI Convenience outlet 15.0 amps



NO.	REVISIONS	DATE	BY
1			
2			
3			
4			

DATE: 1/07/08

SCALE: noted

DRAWN BY: RDS

SALESMAN:

HUSSMANN®

LIC. #644406

Hussmann Corporation
13770 Ramona Avenue
Chino, CA 91710

(909) 590-4910

Hussmann Chino
RGSMS Multideck Meat Service Case

Spec Sheet

PLAN

SHEET