

# HUSSMANN

## RGPSM

### Family

#### Refrigerated Self-Service/Prep Case

The RGPSM is a refrigerated multi-deck self-service and prep deli/pizza case. The RGPSM features a large front display, and is available with a multitude of options for customizing the rear storage and/or prep top to your specific needs. This case can be modified to match any of the service case lines. Remote.

### Applications

- Self Service Deli
- Food Prep Pizza
- Self Service Salads

### Standard

- Black metal deck pans and internal back panel
- 1/2" curved plexiglass sneezeguard and front
- White thermoplastic food prep counter
- Refrigerated condiment area (Holds three half size pans)
- 1 1/2" drain line with P-Trap
- Top light SPX30T12 with toggle switch
- Large forced air refrigeration coil
- Stainless steel exterior back and close-off panel
- Front aluminum base close-off
- Solar digital thermometer
- 3 5/8" double tag molding on top light shield
- 1" black vinyl cart bumper
- Choice of Hussmann colors
- UL listed and FDA compliant

### Companion Caselines

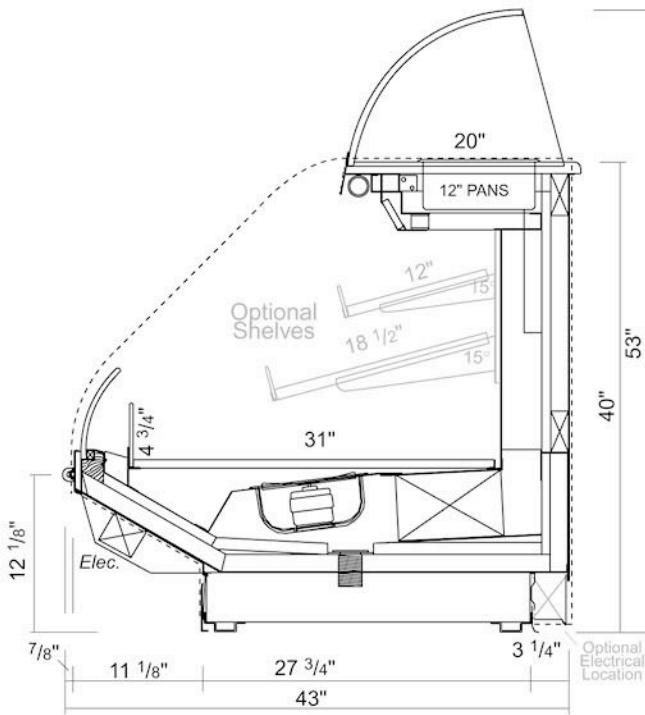
- RGPML (Self-Service)
- RGSSFP (Pizza)

### Standard Lengths

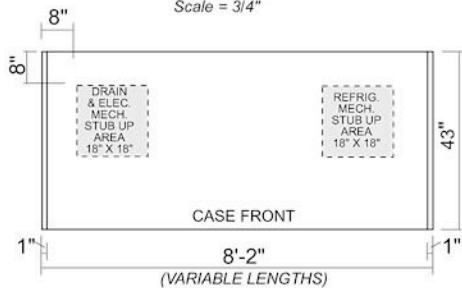
4' • 6' • 8' • 12'



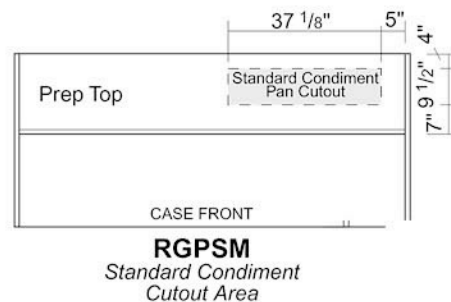
RGPSM



**RGPSM**  
Prep/Self-Service  
Scale = 3/4"



**RGPSM**  
Scale = 1/4"



**RGPSM**  
Standard Condiment  
Cutout Area

### Hussmann Corporation

13770 Ramona Avenue  
Chino, California 91710

(800) 395-9229

(909) 590-4910

(909) 590-4133 Fax

[www.hussmann.com](http://www.hussmann.com)

An **IR** Ingersoll Rand business

# HUSSMANN

## RGPSM

### Options

Refrigerated  
Self-Service/Prep Case

The RGPSM is a flexible case that can be modified in a number of ways. Here are just a few samples of what can be done with this self-service/prep case. Hussmann Chino specializes in modifying standard products to suit your specific needs. Chances are good we can create what you envision!

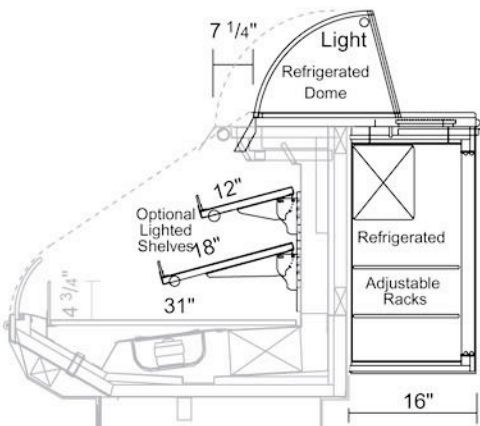


RGPSM Recessed Top Option

1. Sneezeguard
2. Refrigerated Dome
3. Refrigerated Wedge

### Options

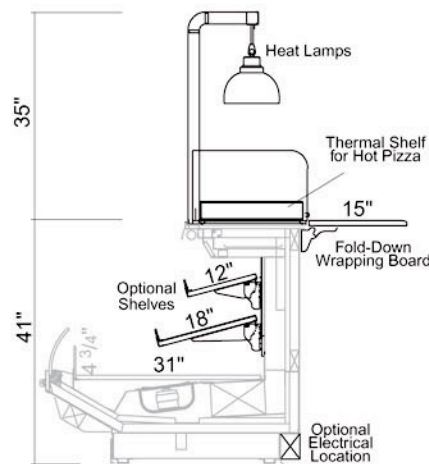
- Thermal hot top
- Rear storage - dry or refrigerated (Refrigerated for wrapped food)
- Adjustable black metal shelves
- T5 lighted shelves with electronic ballast
- Refrigerated dome
- Recessed display
- Straight sneezeguard
- End panels
- Liquid line hand valve
- Energy efficient fan motors
- Black thermoplastic prep top
- Thermoplastic wrapping boards
- Custom trim and decor
- Showcase lighting
- Rear electrical access



**RGPSM with Recessed Top**

Shown with Optional Ref. Rear Storage, Dome & Lighted Shelves

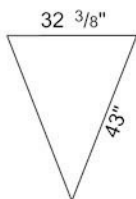
Scale = 1/2"



**RGPSM with Hot Top**

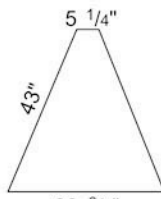
Shown with Overhead Lighting, Optional Shelves, and Wrapping Board

Scale = 3/8"



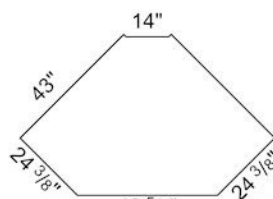
FRONT

45° INSIDE WEDGE



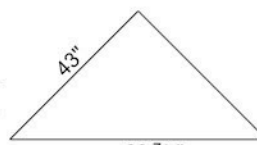
FRONT

45° OUTSIDE WEDGE



FRONT

90° OUTSIDE WEDGE



FRONT

90° OUTSIDE WEDGE  
Point-Back

### Hussmann Corporation

13770 Ramona Avenue  
Chino, California 91710

(800) 395-9229

(909) 590-4910

(909) 590-4133 Fax

[www.hussmann.com](http://www.hussmann.com)

An **IR** Ingersoll-Rand business

NOTE: These merchandisers are designed for use in stores where temperature and humidity do not exceed 75°F and 55% R.H. (We reserve the right to change or revise specifications and product design in connection with any feature of our products. Such changes do not entitle the buyer to corresponding changes, improvements, additions, or replacement of equipment previously sold or shipped.)