

# HUSSMANN

## RGSSFP

### Family

#### Refrigerated Multi-Deck Self-Service/Food Prep Case

The RGSSFP is a food prep case with refrigerated 3-level self-service merchandising in the front, refrigerated rear storage (for wrapped food), and an extremely large food prep counter on top. The prep top can be modified with a number of options to satisfy your food service requirements. Everything from refrigerated domes, and drop-in hot or cold wells, to overhead lighting, and signage. It all starts right here! This case can be modified to cosmetically match any of the other service case families. Remote.



RGSSFP with Refrigerated Top Dome Option

### Applications

- Self Service Deli
- Food Prep
- Service Deli

### Standard

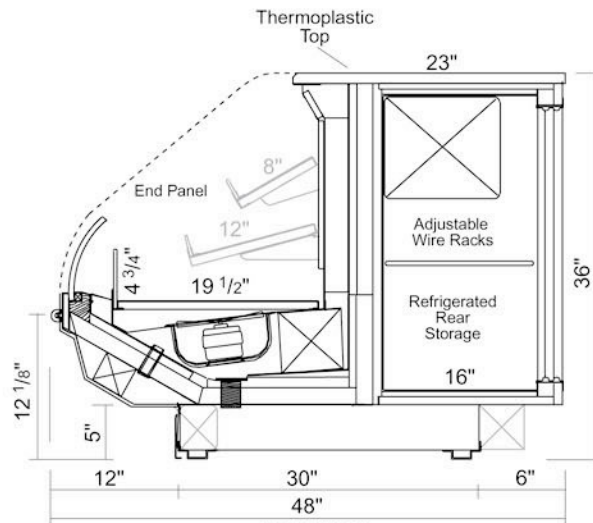
- Curved plexiglass lower view front
- White thermoplastic food prep counter
- Remote and self contained
- Refrigerated rear storage (For wrapped food)
- Refrigerated condiment cutout area to hold three half pans
- EPR valve self-service
- Thermostat liquid line solenoid (For rear storage)
- Solar digital thermometer
- 1 1/2" drain with P-Trap
- 1" black vinyl bumper
- Choice of Hussmann colors
- UL listed and FDA compliant

### Companion Caselines

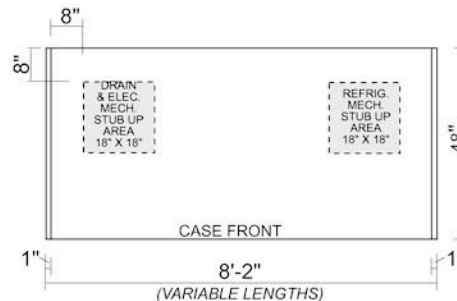
- RGPSM (Pizza)
- RGPML (Self-Service)
- Wedges 45° O/S and 90° O/S

### Standard Lengths

4' • 6' • 8' • 12'



**RGSSFP**  
Prep/Self-Service  
Standard Section  
Scale = 3/4"



**RGSSFP**  
Scale = 1/4"

### Hussmann Corporation

13770 Ramona Avenue  
Chino, California 91710

(800) 395-9229

(909) 590-4910

(909) 590-4133 Fax

[www.hussmann.com](http://www.hussmann.com)

An **IR** Ingersoll-Rand business

© 2003 Hussmann Corporation

NOTE: These merchandisers are designed for use in stores where temperature and humidity do not exceed 75°F and 55% R.H. (We reserve the right to change or revise specifications and product design in connection with any feature of our products. Such changes do not entitle the buyer to corresponding changes, improvements, additions, or replacement of equipment previously sold or shipped.)

# HUSSMANN

## RGSSFP

### Options

Refrigerated Self-Service/  
Food Prep Case

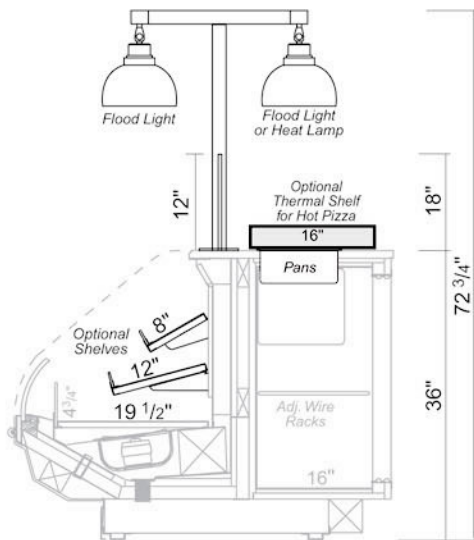
The RGSSFP is a versatile food prep case, and the top can be customized to your specific needs by offering hundreds of variations. The large food prep counter top makes for easy working and cleaning, and with the addition of a few other options, you can have the perfect case for the job.

Did we forget to mention anything? Hussmann Chino specializes in customizing our standard products for your specific needs and/or look. Tell us what you are thinking! This is one of the most flexible cases we offer.

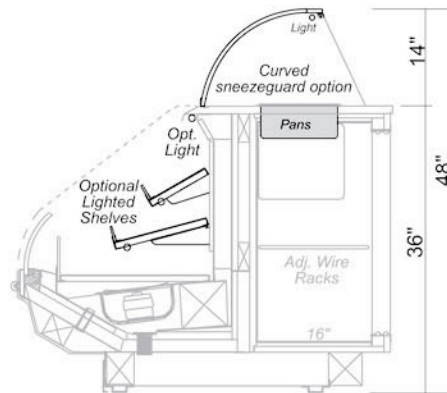
### Options

- 12" sneeze guard and overhead lighting fixture
- Chrome or brass tubing for above
- Curved plexiglass sneeze guard
- Straight glass sneeze guard with posts or bottom clamps
- Internal top case lights
- 8" and 12" adjustable shelves
- T5 case top light
- Prep area showcase lights
- T5 lights for shelves
- Dry rear storage
- Hot plates (Thermal shelf)
- Removable cutting board
- Cleanable knife holders
- Additional 15 amp duplex outlet

1. RGSSFP with Optional Overhead Lamps
2. RGSSFP Straight Sneeze guard



**RGSSFP**  
Overhead Light Structure  
Scale = 1/2"



**RGSSFP**  
Sneeze Guard Option  
Scale = 1/2"



**RGSSFP**  
Available Options  
Top Surface View = 1/4"  
(Consult Factory for Configurations)

### Hussmann Corporation

13770 Ramona Avenue  
Chino, California 91710

(800) 395-9229

(909) 590-4910

(909) 590-4133 Fax

[www.hussmann.com](http://www.hussmann.com)

An **IR** Ingersoll-Rand business

© 2003 Hussmann Corporation

NOTE: These merchandisers are designed for use in stores where temperature and humidity do not exceed 75°F and 55% R.H. (We reserve the right to change or revise specifications and product design in connection with any feature of our products. Such changes do not entitle the buyer to corresponding changes, improvements, additions, or replacement of equipment previously sold or shipped.)