

RIC-02

Refrigerated Multi-Deck Island Display

The RIC-02 is a high-end refrigerated island deli and cheese merchandiser featuring a two level display, with molded curved plexiglass perimeter. The RIC-02 is available as a self-contained or remote unit. This island can be modified in a number of ways - consult our factory!

NOTE: 50% larger end display on 10'-0" and above for RIC-01, RIC-02, and RIC-03.



RIC-02
autobrite stainless steel
interior option

Applications

- Self Service Cheese
- Self Service Deli
- Self Service Meat (Deck Only!)

Standard

- 6" molded curved plexiglass perimeter
- T-8 fluorescent top lighting
- 18" non-refrigerated top display area
- 12" (T-8) lighted fixed wrap-around shelf with 1 1/2" wire product stop
- Black interior
- Center air discharge
- Painted straight lower exterior
- 1" black vinyl cart bumper
- Aluminum base close off
- Black wire racks
- FRP removable deck panels
- Insulated urethane coated interior deck
- Two 1 1/2" drainline fitting with P-Trap
- Dual forced air refrigeration coils
- Solar digital thermometer
- Liquid indicator (Self Contained)
- Thermostat (Self Contained)
- Dryer (Self Contained)
- Defrost timeclock (Self Contained)
- Condensing unit with temperature control (Self Contained)
- Choice of Hussmann colors
- UL approved and FDA compliant

Options

- Low base option (Remote only)
- 8" (T-8) lighted fixed shelf with 1 1/2" wire product stop
- 10" high perimeter plexiglass
- Stainless steel interior
- Hot insert
- Thermostat (Remote)
- Liquid line shut-off valve
- Energy efficient fan motors
- Evaporation pan
- Custom heights, sizes and decor

Companion Caselines

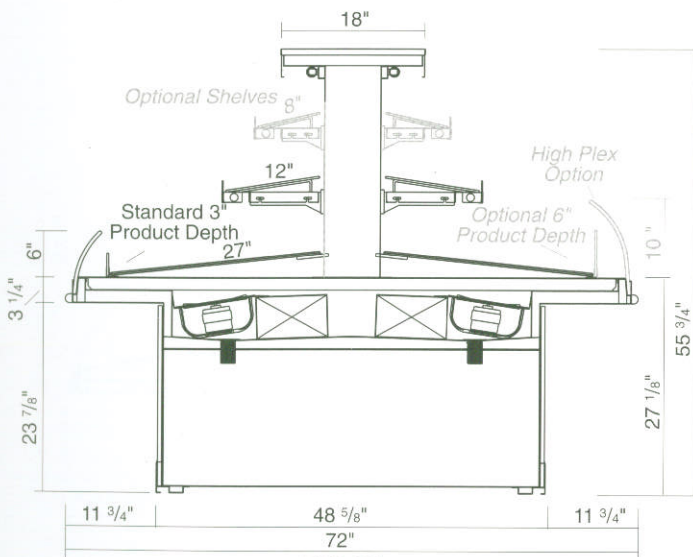
- RIC-01, RIC-03 and RIC-04 (Deli)

Standard Lengths

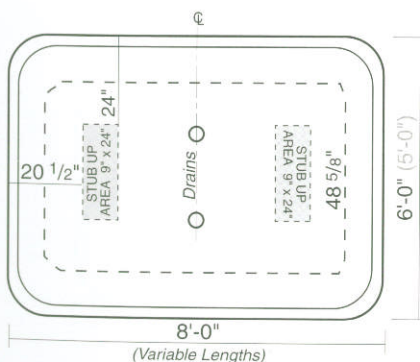
8' • 10' • 12' • 14' • 16' • 18' • 20' • 22' • 24'

Caution

Do not cover wire racks. They are an integral part of the refrigeration system.



RIC-02
Deli
Scale = 1/2"



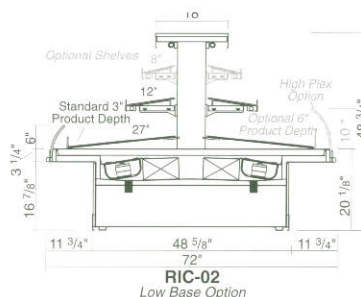
RIC-02
NOTE: Mechanical Stub-Up areas will vary with size of case. Consult factory for location(s).
Scale = 1/4"



Bottom deck product-stop attached to wire shelf, reducing complexity. Shown optional with 10" Plexiglass.



Bottom deck panel integrated with corner return air panels for easy removal and installation. Shown optional with 10" Plexiglass.



RIC-02
Low Base Option

NOTE: These merchandisers are designed for use in stores where temperature and humidity do not exceed 75°F and 55% R.H. (We reserve the right to change or revise specifications and product design in connection with any feature of our products. Such changes do not entitle the buyer to corresponding changes, improvements, additions, or replacement of equipment previously sold or shipped.)

